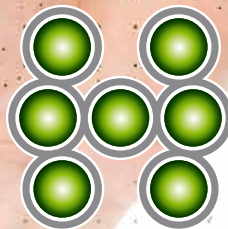
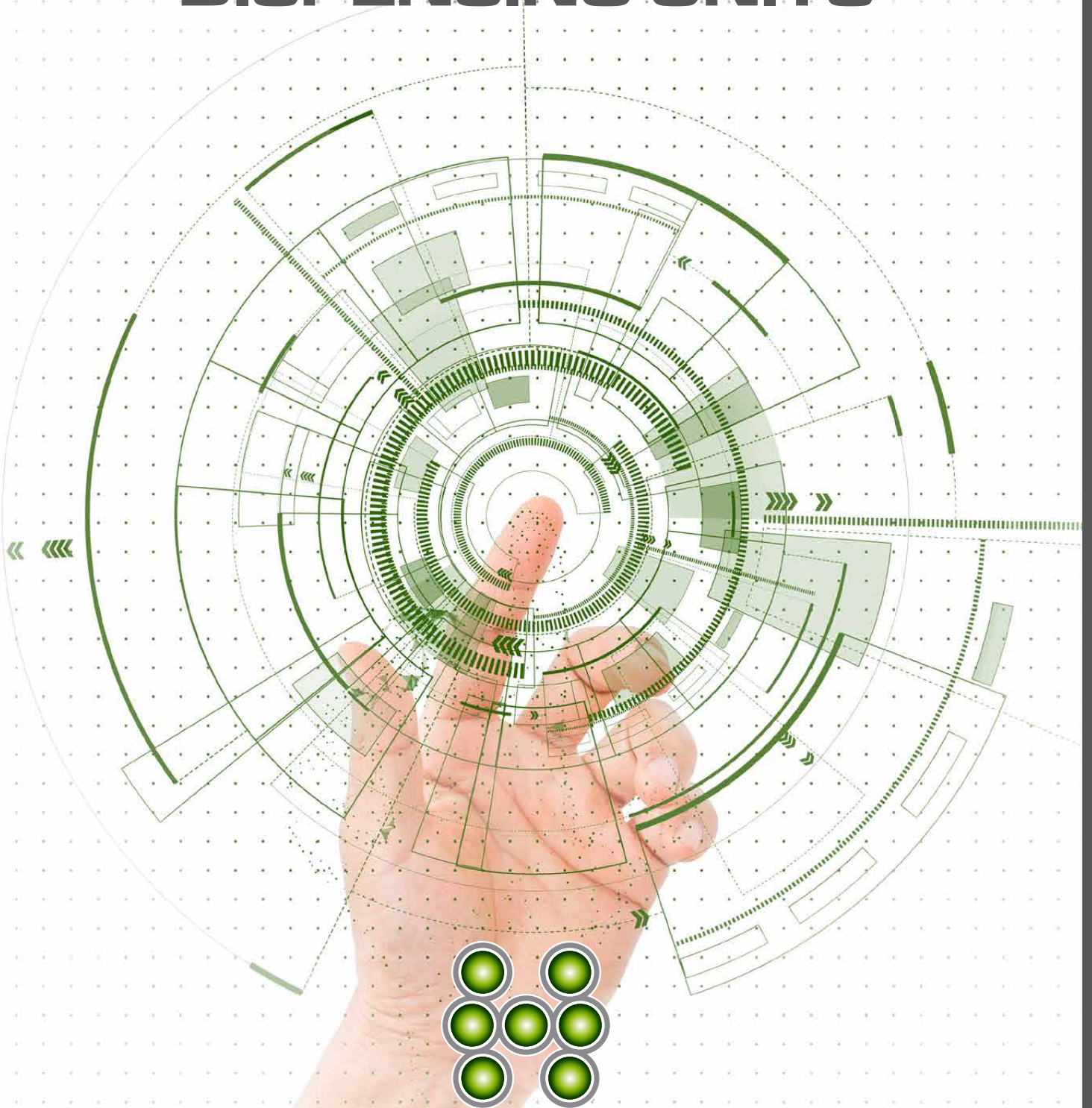


PAYMENT SOLUTIONS DISPENSING UNITS



MICROHARD[®]
VENDING PROJECTS



MICROHARD



MICROHARD® was founded in **1983** as a company to design and manufacture industrial electronic systems and software.

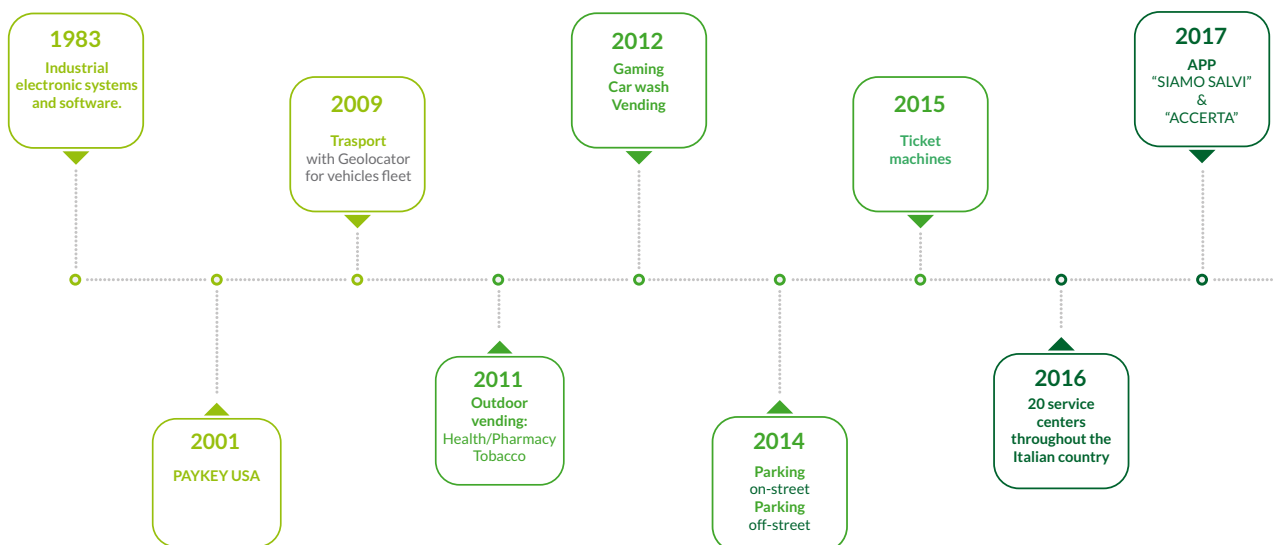
Playing immediately a leading role in the software's development for the betting games sector, achieves considerable success throughout the Italian country.

At the beginning of the nineties, exploiting the experience reached by its designers, it extends operations to the industrial and consumer markets.

In 2001, following a painstaking market analysis, Microhard® founded **PAYKEY USA** a new American company operating in the cashless system sector for the vending market. At the top of the sector, Microhard® acquires important public tenders in New Jersey, Nevada and South Carolina.



OUR HISTORY



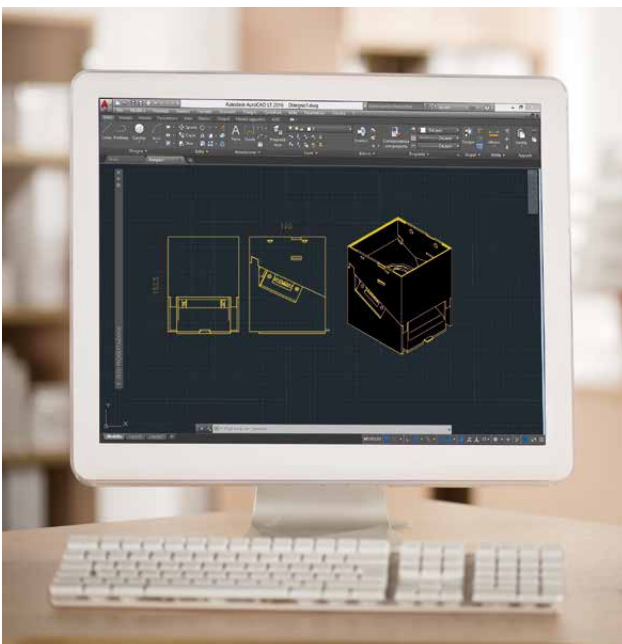
Innovation, Strength and Reliability surmise the attributes associated with the success of Microhard®.

INTERNATIONAL COMPANY.....



DESIGN & PRODUCTION.....

Microhard® has the resources, experience and expertise to deliver your requirements. From concept through design to full production... we've been delivering peace of mind for over 35 years.



Microhard® realizes internally all the stages for develop a new product, from design to production.



ELECTRONIC COIN SELECTOR



Anti fraud system



Reinforced front plate
for an excellent fixing



Protection system for wiring

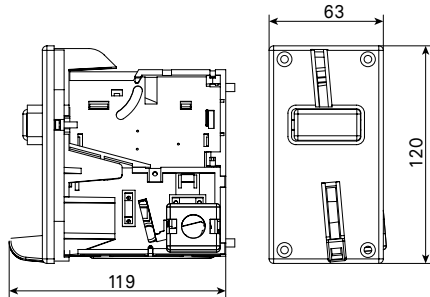
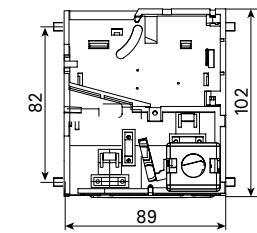
- Change Protocol from parallel to ccTalk and vice versa, by yourself
- Optimized costs and stocks
- Tropicalized electronic board



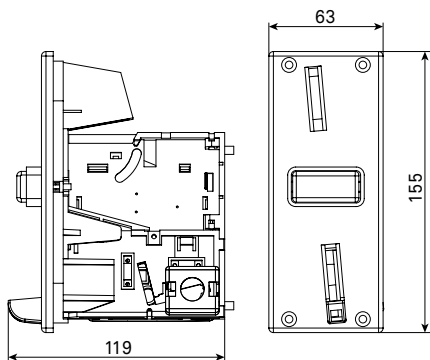
Anti-stick frame

Stainless steel

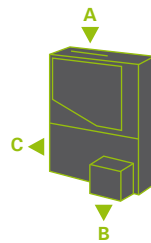
DIMENSIONS



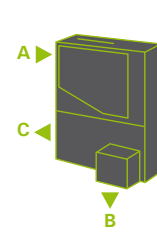
F11 Low front plate
for Coin Selector



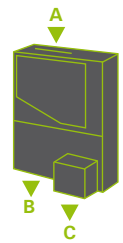
F15 High front plate
for Coin Selector
(for M10 and M20)



MOD
M10



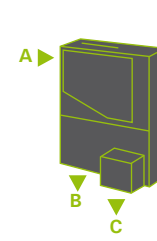
MOD
M20



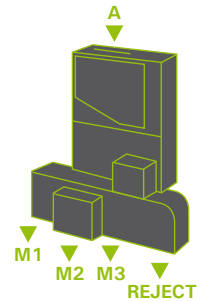
MOD
H10



MOD
P10



MOD
P20



MOD
H10
WITH SORTER

A = ENTRY
B = VALID
C = REJECTED

OPTIONAL

• Coin Selector wire on request

FEATURES

Acceptance:

- Up to 16 different unique coins or tokens, ranging from 16mm to 32mm in diameter, and from 1 to 3.2mm thickness

Security

- active: with double optical sensors controlling coin flow/direction
- passive: triple security with stainless steel wirecutter, invasive wire control and coin blocking lever.

Sensors:

- 3 pairs of optic sensors for measuring coin diameter and thickness
- inductive analog sensors
- digital output Hall effect sensors for absolute protection against counterfeit coins

Materials:

- main frame: highly durable and highly stable Noril material
- Stainless steel re-enforced Coin chute and sensor section and stainless steel, contrast springs

Speed:

- 3 coins per second

Power supply:

- +12 Vdc and +24 Vdc with standard connectors

Current:

- 30mA (300mA in acceptance)

Output signals:

- NPN open collector (ULN 2003 A) with maximum 500 mA load

Programming:

- Standard PC settings or Self programmable

Assembly angle:

+/- 10° in any direction

Operating temperature:

- from -20 °C to 70 °C



"X4" Coin sorter 4 ways



VANDAL PROOF COIN INSERT



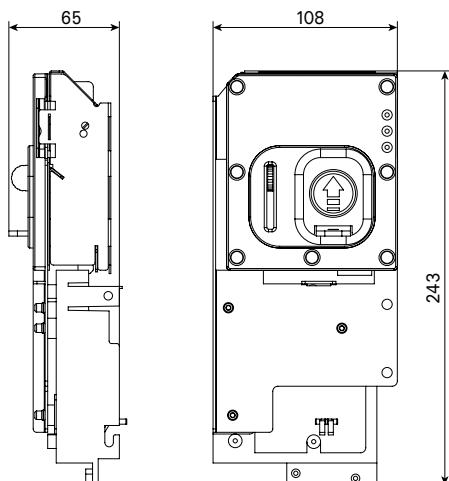
Version with coin selector P10



Version with coin changer

Vandal proof coin insert for coin validator and change giver. Optional with awake switch.

DIMENSIONS



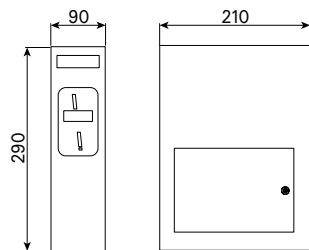
ACCESS CONTROL PAYMENT SYSTEMS

CASH BOX

(INDOOR)

- Box with coin selector, display, side lockable door
- 12 or 24 Volt version

DIMENSIONS

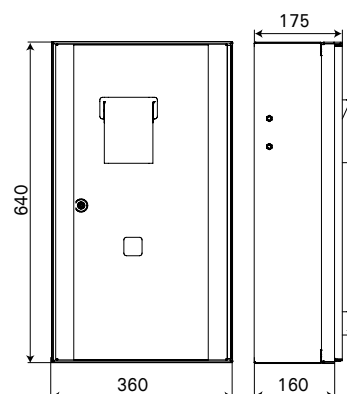


PAYPOINT MICRO

(OUTDOOR)

- Stainless steel structure with vandal proof coin insert and alphanumeric display

DIMENSIONS





PAYKEY PK3™

MULTI ENVIRONMENTAL COMPACT PAYMENT AND ACCESS CONTROL RFID OEM MODULE



PAYKEY PK3™ represents the most efficient OEM contactless device. Delivering unsurpassed functionality in a compact design. This compact payment system is suitable for use in a multitude of environmental conditions. Electronics are designed to communicate with any existing protocol and the PK3 includes the highest number of options for use in the management of self service

applications. With RFID chipped cards and tags including mifare card for a range of uses including car washes, access control, parking and so on.

- Prepaid system increased sales 20% - 40%
- PK3 can be used with NFC (NFC ready)

ON REQUEST

AS YOU WANT



PK3 with display
(same fixing holes of Coin Selector)



Display



CARD



DISPOSABLE CARD



TAG



Customized or branded request
(The standard card is supplied in white color)

CHARGER POINT™

UNIVERSAL KEY CHARGER

Compatible with all MDB systems on the market, a definite answer to your needs.

Fully configurable with acceptance of bills, coins, credit card, bancomat, (preset amount of recharge with pos option) with direct deposit into your bank account.

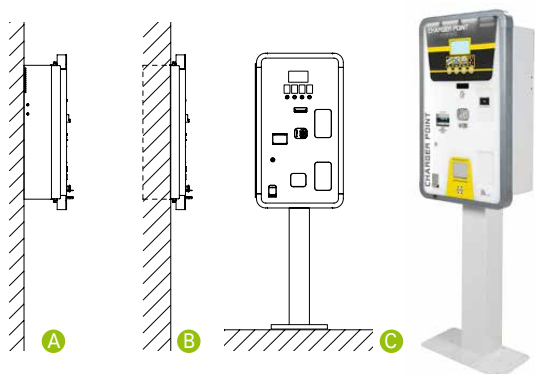
By the printer you can have the accounting data and operations performed on the ticket.

Outdoor vandal proof machine with alarm predisposition.

Customized front graphic on request.

DIMENSIONS

Width: 539 mm - Height: 940 mm - Depth: 261 mm



PK TOOL READER/PROGRAMMER



Device to read and program keys, cards, tags. Software is included

EXECUTIVE SIMULATOR



Base Unit, instead of the executive vending machine, to help you for testing executive payment systems



FLEXI HOPPER X5™

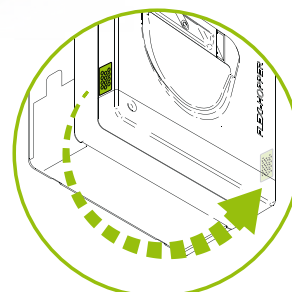
COINS/TOKENS DISPENSER



Plastic slide included.
On request: metal slide



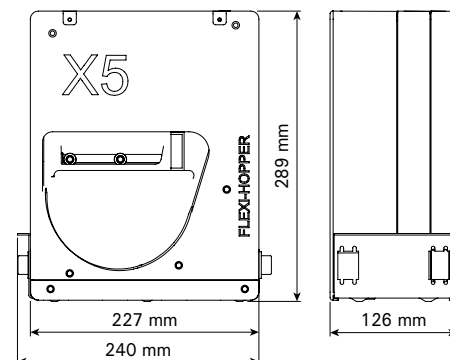
Extraction handle



Reversible wiring/connector

- Belt driven coin dispenser ensuring long lasting durability for cash handling
- "Internal Stirrer" function prevents gaps and coins bridging/blockages
- Optional Anti-theft lock available
- Different models for coin handling up to 31,5 mm diameter
- Slide included
- Capacity up to n.1500 coins 1€ or equivalent
- Version 12V or 24V, parallel or cctalk

DIMENSIONS X5™



BELT

HOPPER X5™ HOPPER X5 DPO™	coins/tokens diameter Ø	coins/tokens thickness
Standard	20-31,5 mm	1,25-4,5 mm
Small (on request)	16-25 mm	1,25-4,5 mm

STANDARD CONNECTORS

Standard version with Male cinch connector fixed into the hopper and Female cinch connector on the slide



A CINCH connector (male connector mounted on HOPPER)

A1 CINCH connector (female connector mounted on slide)

Standard version with 10 PIN connector



B 10 PIN connector

B1 Slide

CONNECTORS ON REQUEST

USB version



C USB MH472 connector

C1 Slide

Version with Female cinch connector fixed into the hopper, Male cinch connector on the slide



D CINCH connector (female connector mounted on HOPPER)

D1 CINCH connector (male connector mounted on slide)

Version with Male cinch connector fixed into the hopper, Female cinch connector on the slide and interface MH455 with 10PIN connector



E CINCH connector (male connector mounted on HOPPER)

E1 Interface MH455 with 10 PIN connector

Version with Female cinch connector fixed into the hopper, Male cinch connector on the slide and interface MH583 with 10PIN connector



F CINCH connector (female connector mounted on HOPPER)

F1 Interface MH583 with 10 PIN connector

ON REQUEST



Coins exit on side, optional



Lockable handle



Lockable cover



FLEXI HOPPER X5 CGS™ COIN GUARD SYSTEM

CGS™

ANTI-TAMPERING



Version anti-fraud **BLOCK COIN SYSTEM**
Handling coins only for authorized personnel, without any losing coins during the transportation



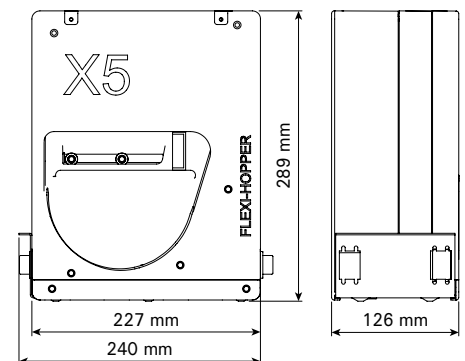
Plastic slide included.
On request: metal slide



Extraction handle

- Belt driven coin dispenser ensuring long lasting durability for cash handling
- "Internal Stirrer" function prevents gaps and coins bridging/blockages
- Optional Anti-theft lock available
- Different models for coin handling up to 31,5 mm diameter
- Slide included
- Capacity up to n.1500 coins 1€ or equivalent
- Version 12V or 24V cctalk

DIMENSIONS HOPPER CGS™

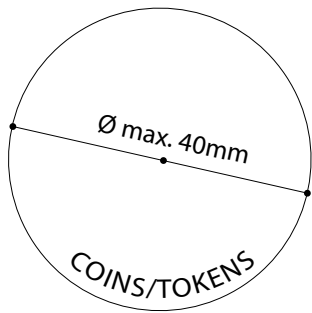


BELT

HOPPER X5™ HOPPER X5 DPO™	coins/tokens diameter Ø	coins/tokens thickness
Standard	20-31,5 mm	1,25-4,5 mm
Small (on request)	16-25 mm	1,25-4,5 mm

FLEXI HOPPER X5 XL™

DISPENSER SUITABLE FOR COINS/TOKENS
UP TO 40 MM DIAMETER



Metal slide included



Tokens max 40 mm



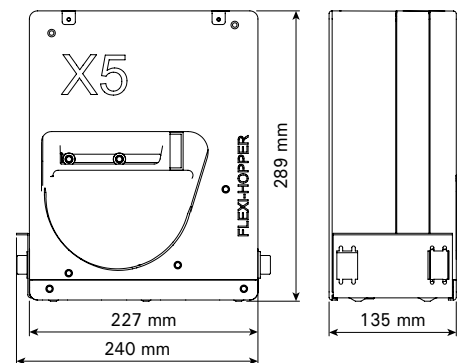
Tokens RFID max 40 mm



Coins max 40 mm

- Belt driven coin dispenser ensuring long lasting durability for cash handling
- "Internal Stirrer" function prevents gaps and coins bridging/blockages
- Optional Anti-theft lock available
- Coin/token handling up to 40 mm diameter
- Slide included

DIMENSIONS X5 XL™



BELT

HOPPER X5 XL™	coins/tokens diameter Ø	coins/tokens thickness
BELT XL	30-40 mm	1,25-5,5 mm



FLEXI HOPPER X5 DPO™ MULTICOIN (Dynamic Payout)



COIN DISPENSING WITH 3 DIFFERENT VALUES



EXAMPLE

Exit of 0.50 - 1.00 - 2.00 coins
Hopper DPO pays out the three kinds of coins indiscriminately. DPO verifies which coins come out without selection. In this way a maximum dispense speed can be maintained.



Two 'Quick Change' slots (**A + B**) where selected coin denominations are ready in stand-by. After that the operation is over (dispensing) the hopper DPO reloads the two 'Quick Change' slots.

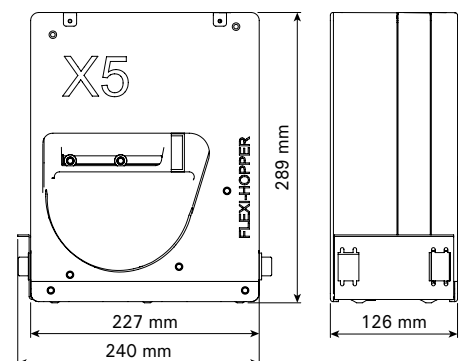


Plastic slide included.
On request: metal slide

The only belt-operated coin and/or token recycler/pay-out. The most robust and high-performance Hoppers on the market for handling 1 eurocent to 2-euro coins.

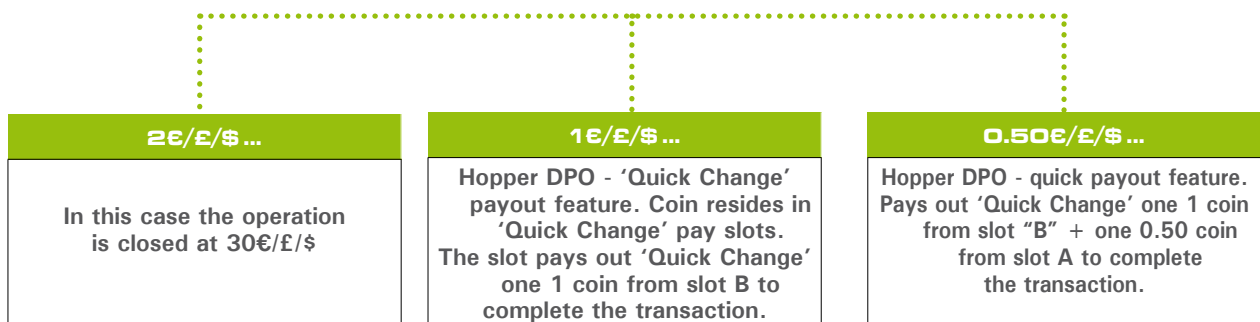
Quick and dynamic payout with cash kept in a currency box, ready for use.
Coins are dispensed in three different configurations and positions.

DIMENSIONS HOPPER X5 DPO™



EXAMPLE:

- Hopper DPO™ has to pay out 30€
- Hopper DPO™ is loaded with 0.50€, 1€ and 2€ coins.
- Hopper DPO™ pays out indiscriminately the 0.50€, 1€ and 2€ coins, verifying what comes out.
In this way we have the maximum dispense speed.
- When 28€ have been payed out, Hopper DPO™ dispenses another coin:



OPERATING MODE A

The DPO can be set in order to dispense a specific amount (e.g. change), paying out coins in a random way (it checks the exit coins, but it doesn't waste time looking for a specific type of coin). With the 2 additional pockets (1 stand-by coin into each one), the DPO closes the total amount

OPERATING MODE B

The DPO can be set in order to dispense a specific amount (e.g. change), paying out exactly the number and the value of the coins programmed. With the 2 additional pockets (1 stand-by coin into each one), the DPO closes the total amount

Ideal for use in a variety of applications such as:

- payment kiosks
- automatic cash machines
- games machines and coin & money exchange devices in general

The X5 DPO model has certain unique features:

- the use of a belt (instead of a disc) makes it very safe, reliable and long lasting
- it is secure. The coins can only be accessed by authorised staff. Coin Block System
- it can be used in both Standard and Reverse versions
- quick and dynamic pay-out guaranteed by 2 currency boxes with coins in standby.
- payment configurable in automatic or personalised mode
- anti-jam system

FEATURES

- Maximum pay-out speed: 3 coins per second
- Capacity: 1,500 1-euro pieces
- Handles: up to 8 values (from 1 cent up to 2 euros)
- Power supply: 24V DC (motor); 12V DC (logic)
- Compact dimensions: 226 x 286 x 126 mm (standard market Hopper retrofit)
- Operation: cc-Talk protocol
- Safety devices: reserve/full sensors.

MINIHOPPER™

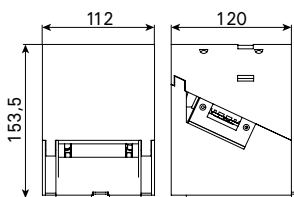
COMPACT COIN DISPENSER



X3 STANDARD™



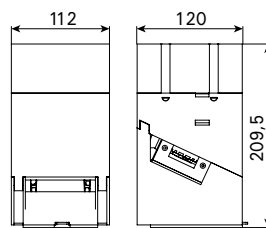
X3 Mini Hopper standard; payout device 12V or 24V, parallel or cctalk.
Capacity: n.450 coins 1€ or equivalent.



X3 EXP.™



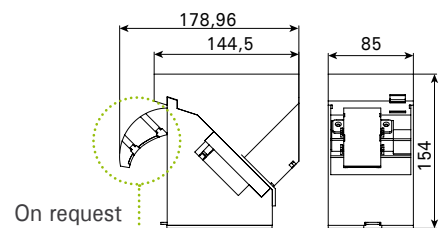
X3 EXP Mini Hopper with extension; payout device 12V or 24V, parallel or cctalk.
Capacity: n.850 coins 1€ or equivalent.



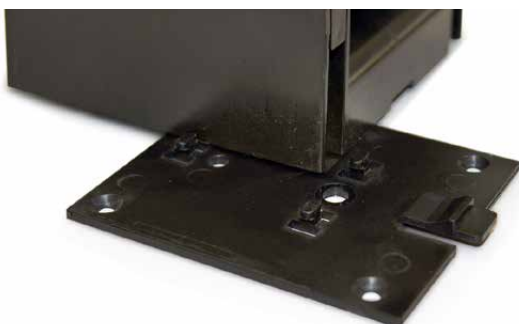
X3 MICRO™



X3 MICRO Mini Hopper; payout device 12V or 24V, parallel or cctalk (without coins conveyor, on request).
Capacity: n.400 coins 1€ or equivalent.



- Slide included



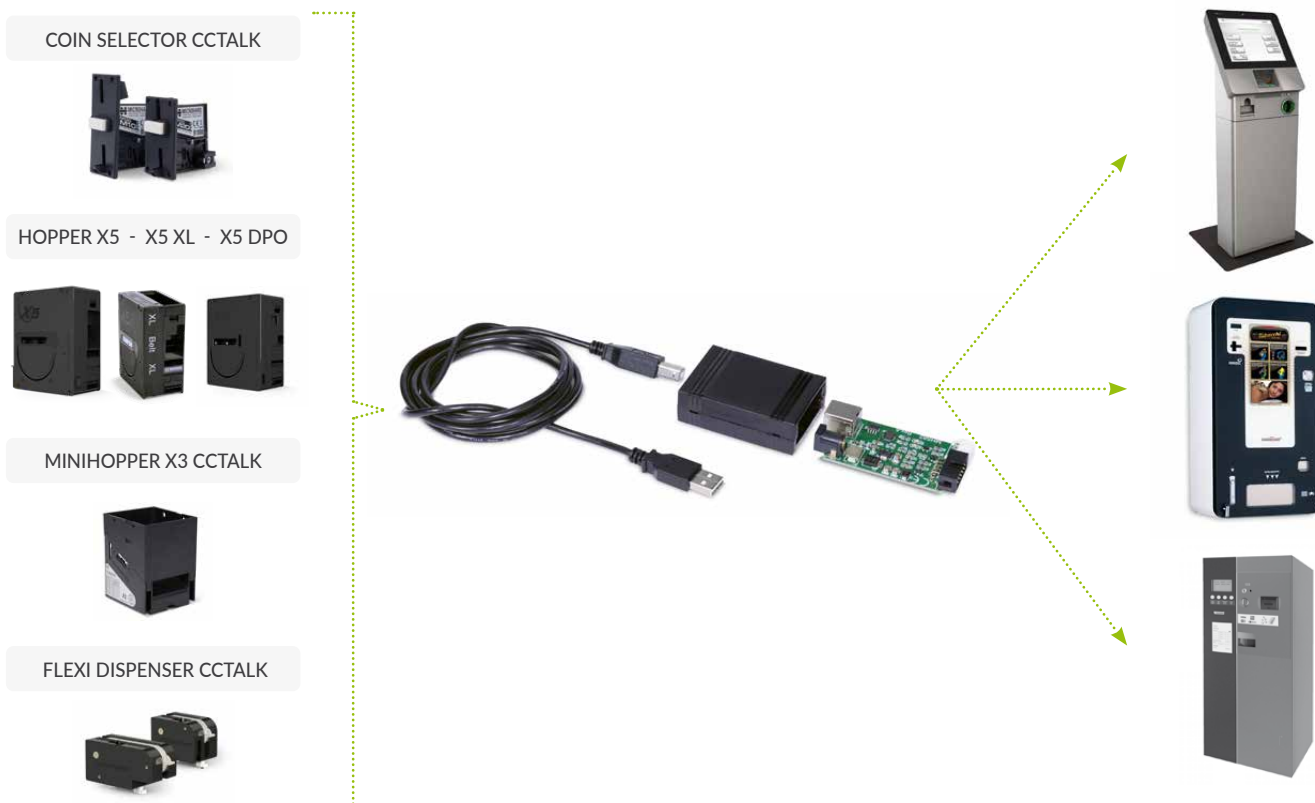
FEATURES

- Service Led
- Self diagnosis with error signal
- Available in 12 and 24 Vdc
- Anti-jamming system
- Self unblocking system
- Double sensor coin output
- Anti-theft system to prevent fraud against the cover of the optics
- Suitable for coins of 21 to 29 mm in diameter and 1.5 to 3.1 mm thick
- Fixing support to rapid assembly
- Adjustable dispensing speed from 3 to 8 coins per second
- All models are available with cc-Talk and AES Interface

CCTALK / USB INTERFACE

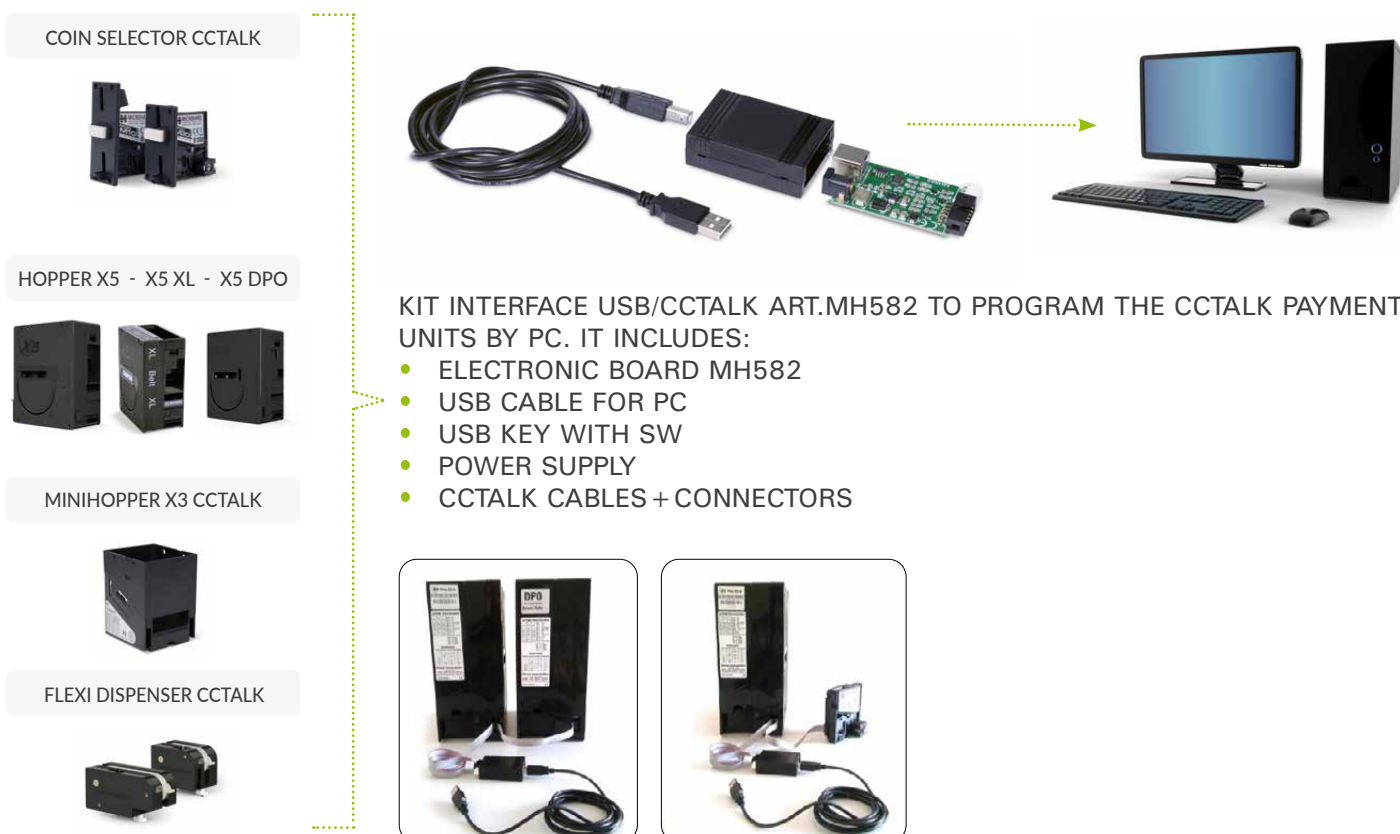
SOLUTION 1

USB INTERFACE MH582 FOR CCTALK PAYMENT SYSTEMS CONNECTION TO THE PC



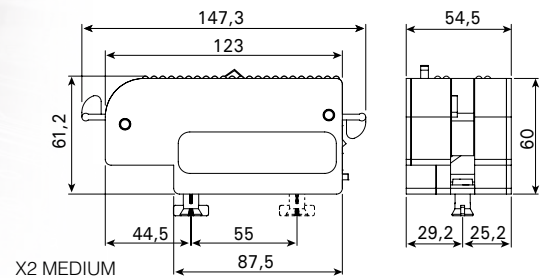
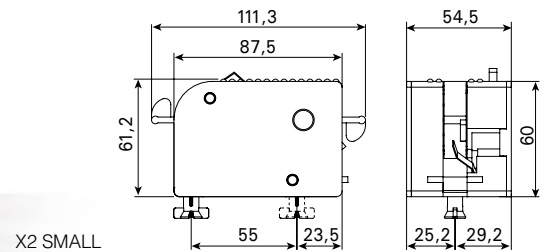
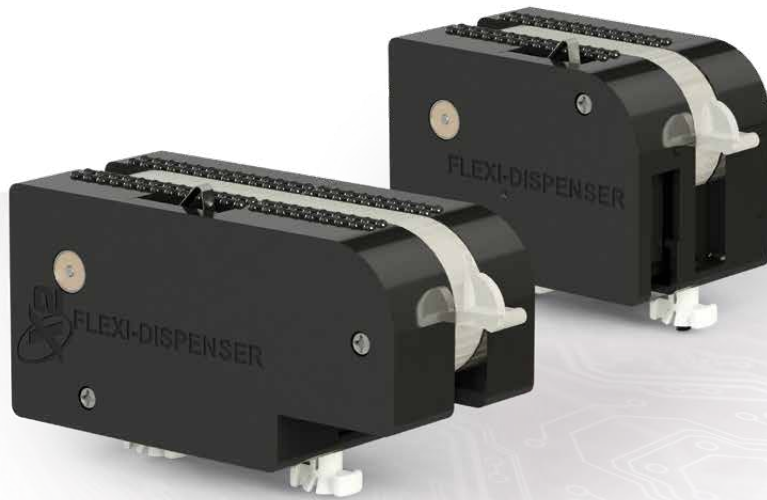
SOLUTION 2

KIT USB INTERFACE MH582 FOR CCTALK PAYMENT SYSTEMS CONFIGURATION BY PC



FLEXI DISPENSER

VENDING DEVICE FOR PACKETS
OR BLISTER PACKED PRODUCTS



X2 SMALL

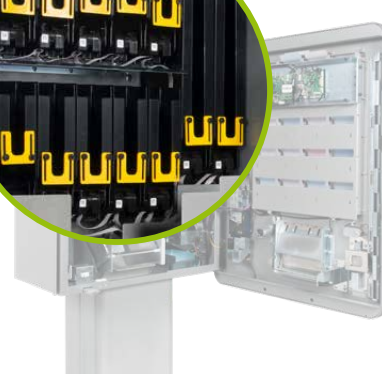
This is a vending device for small size packets. The advantage of X2 Small is that can dispense small size products (as small as a pack of cigarette) with depths of 4 cm or less. Also available with connection located on the bottom making it possible to conveniently hide machine cables. It is low voltage powered (12Volt) and has very low power consumption which allows for use in battery powered vending machines as well.

X2 MEDIUM

Same as above, but comes in standard market size. Both devices are equipped with belt tensioners. This machine's special feature is the central position of the micro switch, which simplifies the process of checking if products are stocked, including products of different sizes and formats. Upon request, this model can be fitted with CC-Talk interface, enabling it to be connected with a single flat cab to several linked motors, controlled by the machine's CPU which inquires and simultaneously operates them, recognizing the different product IDs.

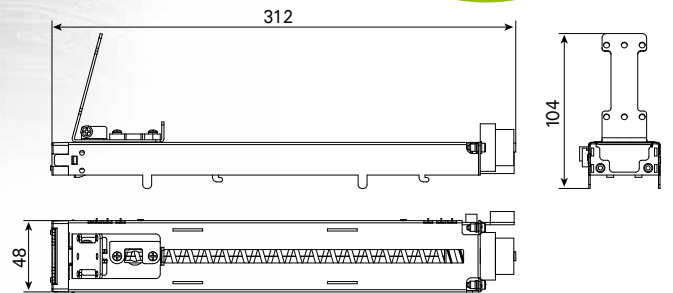
SILOS

EXAMPLES OF APPLICATION:



PUSH DISPENSERS

PUSH DEVICE WITH DISPLAY
(AMOUNT/SELECTION NUMBER)

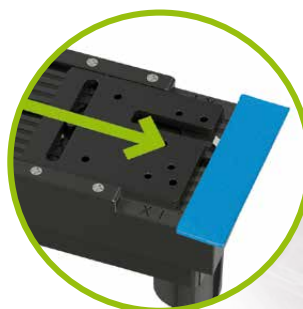


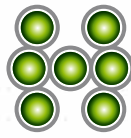
ON REQUEST



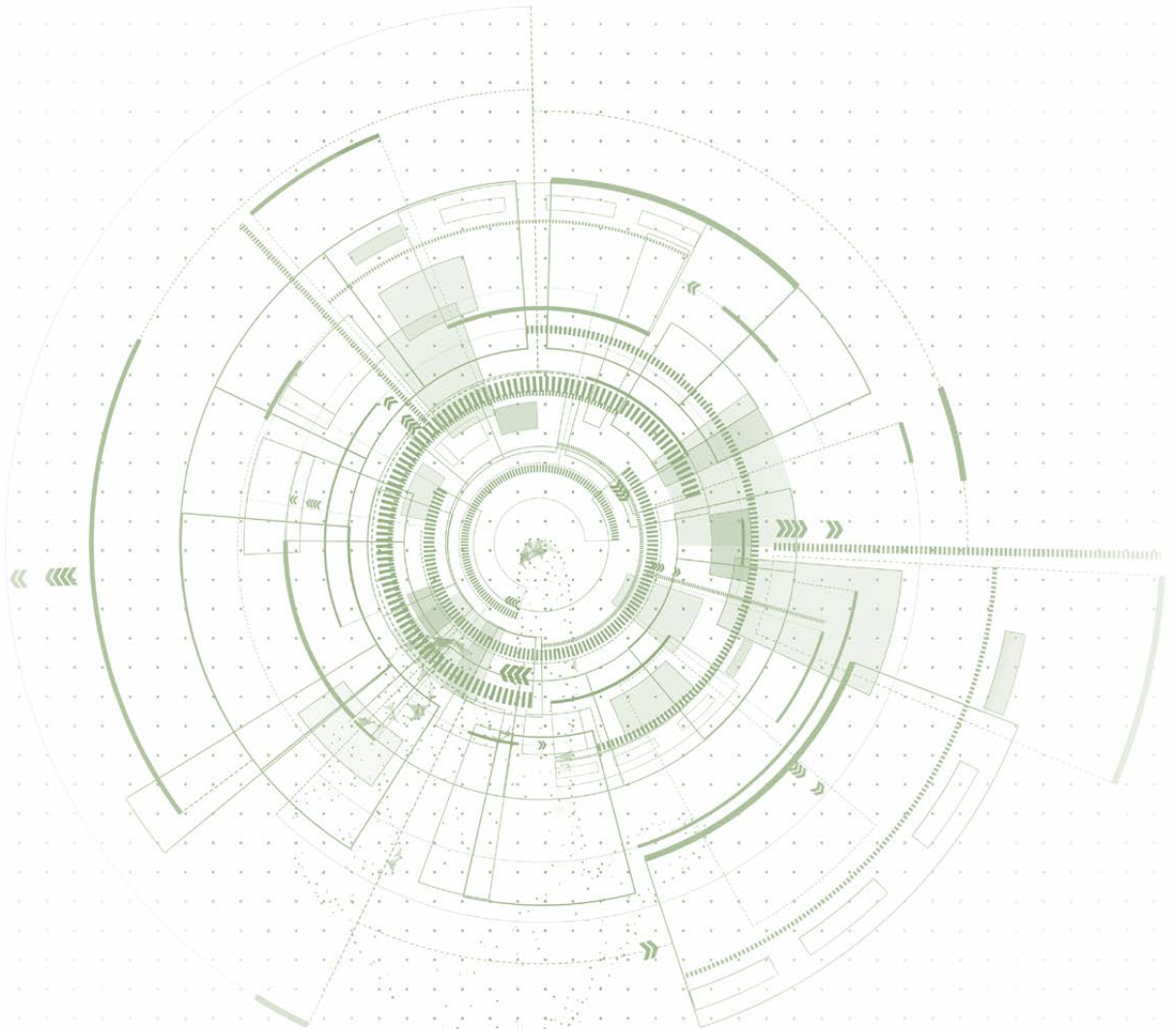
PUSHER-TYPE PRODUCT DISPENSER

LOW POWER CONSUMPTION,
SUITABLE ALSO FOR
MINIMUM-SIZED PRODUCTS
(packages under 11mm height).





MICROHARD®
VENDING PROJECTS



Microhard® s.r.l.

Headquarters: Via F.lli Rosselli, 14/B - 40069 Zola Predosa (BO) ITALY
Tel.: +39 051 58.72.037 - Fax +39 051 58.72.028

Offices: Via dei Platani, 7 - 47042 CESENATICO (FC) ITALY
Tel.: +39 (0547) 75450 - Fax: +39 (0547) 81247

Registered office: Via Santo Stefano 11 - 40125 Bologna
info@microhard.it - www.microhard.it